

Installation Guide

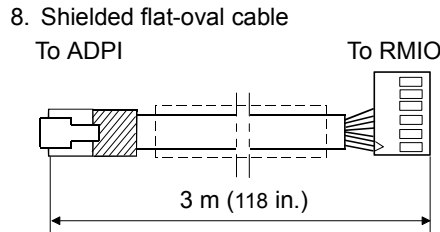
RPMP-11/13 Control Panel Mounting Platform Kit

+J410

The RPMP-11 Control Panel Mounting Platform kit (+J410, codes: 64736175, 68443156, 68443164) includes the accessories for installing the CDP312R control panel onto a cabinet door. The RPMP-13 Control Panel Mounting Platform kit (code: 64736141) includes also the CDP312R control panel.

The mounting platform is snap-mounted to a 1.5...2.5 mm thick door plate (no screws are required). The control panel is attached to the mounting platform by pushing it into the recess. The degree of protection of the control panel is IP54 when attached.

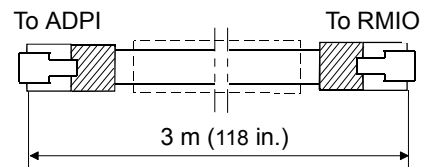
1. CDP312R control panel (RPMP-13 only)
2. Extension connector (RPMP-13 only)
3. Control panel mounting platform
4. EMC shield and locking plate
5. Panel interface board ADPI
6. Screws for fastening the board onto the platform
7. Grounding wire



Used with:

- ACS800-04 modules of frame sizes R2 to R4 without swing-out panel support
- ACS800-04/04M/U4 modules of frame sizes R7 and R8
- ACS800 multidrive modules of frame sizes R2i, R3i, R4i, R7i and R8i.

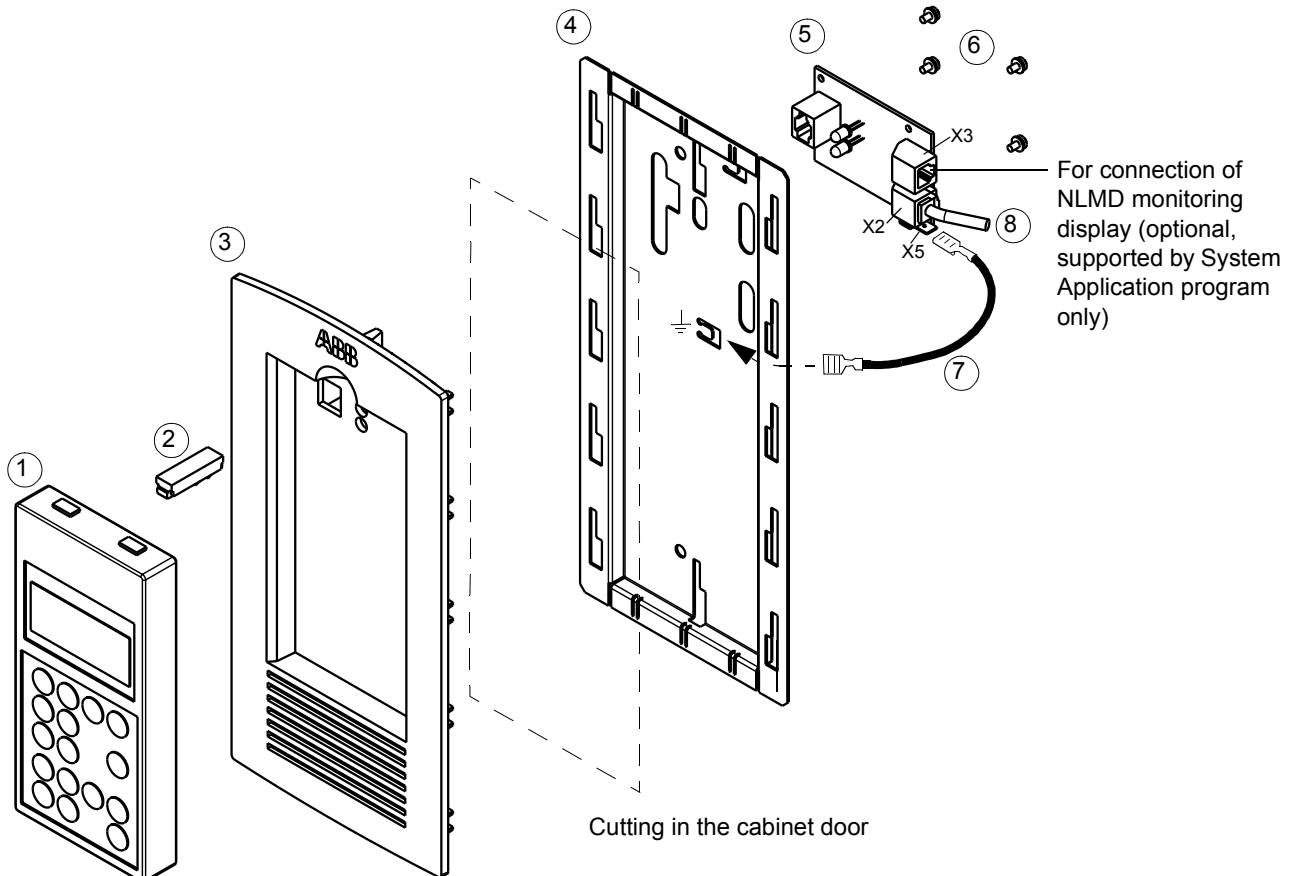
Connect the cable to RMIO board connector X39 in the RDCU unit.



Used with:

- ACS800-04 modules of frame sizes R2 to R4 with swing-out panel support
- ACS800-04 modules of frame sizes R5 and R6
- ACS800 multidrive modules of frame sizes R5i.

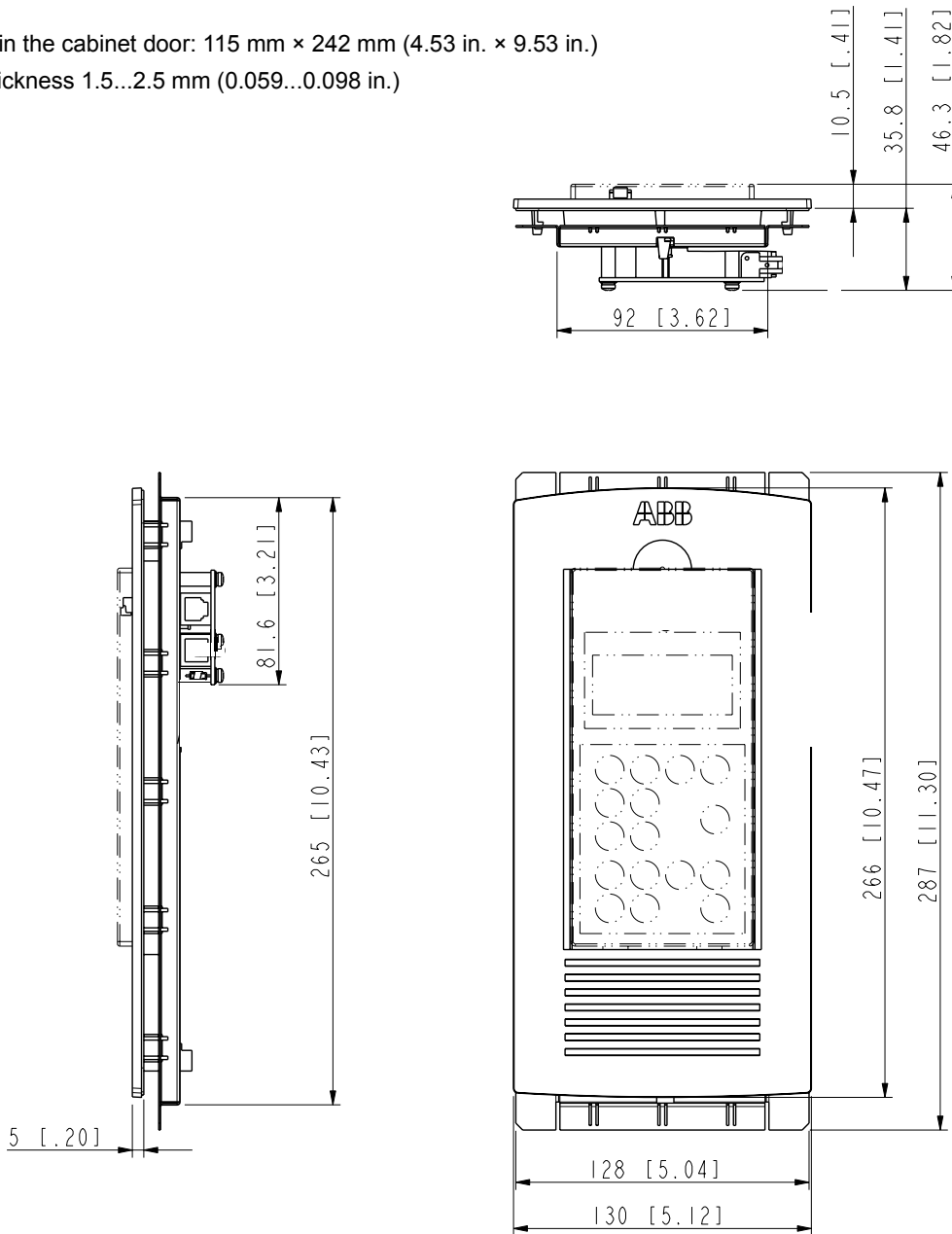
Plug the cable in the socket on the bottom of the control panel recess of the module.



Dimensional drawing

Cutting in the cabinet door: 115 mm × 242 mm (4.53 in. × 9.53 in.)

Plate thickness 1.5...2.5 mm (0.059...0.098 in.)



68412102_2/2

ABB

ABB Oy

AC Drives

P.O. Box 184

FI-00381 HELSINKI

FINLAND

Telephone +358 10 22 11

Fax +358 10 22 22681

Internet <http://www.abb.com>

ABB Inc.

Automation Technologies

Drives and Motors

16250 West Glendale Drive

New Berlin, WI 53151

USA

Telephone 262 785-3200

800-HELP-365

Fax 262 780-5135